

Instrumentele de Cooperare pentru Dezvoltare

Programul tematic “Actori Non-Statali si Autoritatile Locale in Dezvoltare”

Bucuresti, 8-9 iulie 2010

Seminarul National *Educatie Globala/ Educatia pentru Dezvoltare in Romania*



Implementarea ajutorului UE & CE

UE – cel mai mare donator din lume

- 27 + 1 donori responsabili impreuna pentru **60% din totalul ajutorului pentru dezvoltare** (2008: 48,6 miliarde)
- USA ofera 22%

Comisia Europeana:

- **Cel de-al doilea** donator ca marime de ajutor umanitar
- **Cel de-al treilea mare donator** de ajutor pentru dezvoltare (11%, dupa SUA si Germania)
- **Ajutor prezent in aprox. 140 tari**

Based on OECD DAC primary figures 2009

Instrumentele de cooperare pentru dezvoltare (DCI)

- Adoptate in decembrie 2006
- Baza legala:
 - ❖ Programe geografice
 - ❖ **5 programe tematice** (complementare programelor geografice):
 - Investitii in oameni
 - Mediu
 - **Actori non-statali si autoritati locale (NSA & LA)**
 - Securitatea hranei
 - Migratie si azil
 - ❖ Suportul pentru productia de zahar

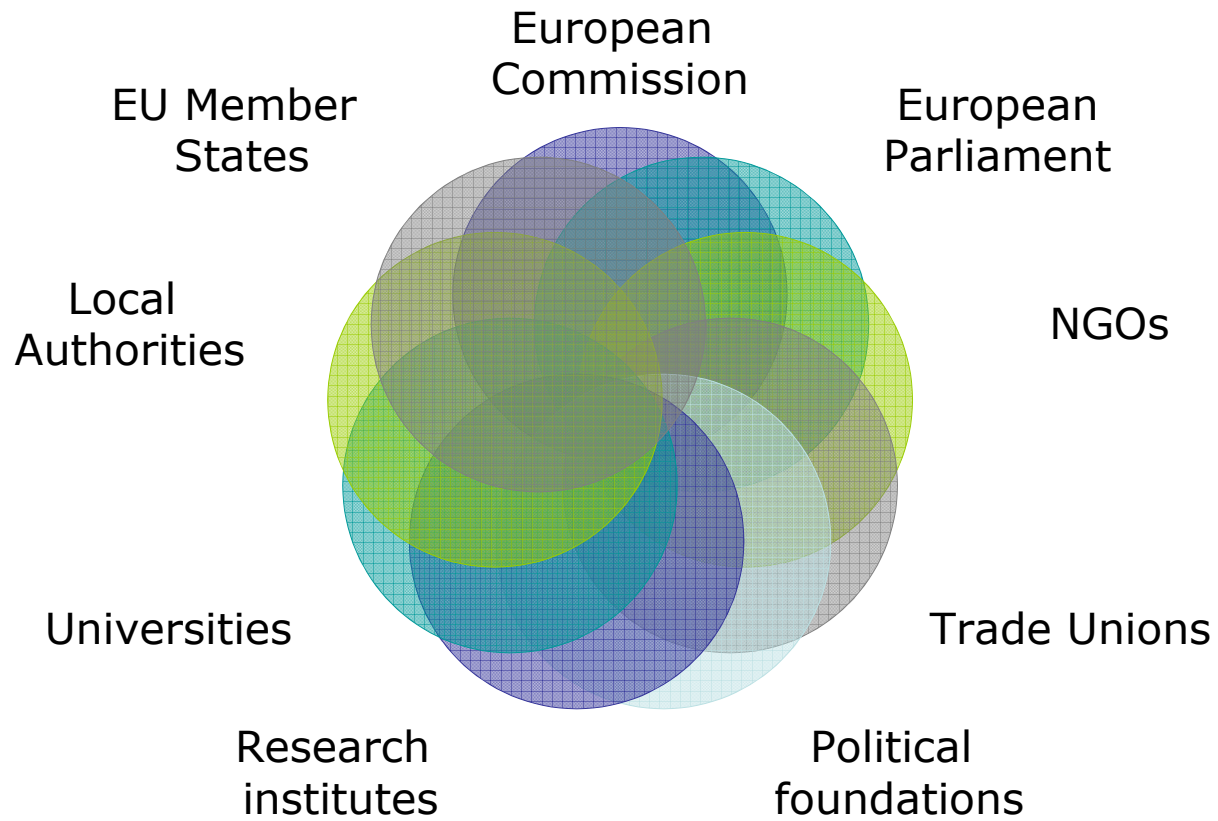
Programul Tematic “Actori Non-Statali si Autoritati Locale in Dezvoltare”

EuropeAid

Elemente principale ale programului

- “Actori non-statali si autoritati locale in dezvoltare” este un program tematic bazat pe DCI
- Eligibilitate: actori non-statali non-profit si autoritati locale din UE si tarile partenere
- Cel putin 15% din fonduri rezervate pentru autoritati locale

Programul NSA & LA



EuropeAid

NSA & LA in Dezvoltare - Obiectiv general

Co-finantarea actiunilor NSA si LA din EU si tarile partenere in domeniul dezvoltarii pentru cresterea capacitatii in procesul de realizare al politicilor

- **Cresterea capacitatea NSA & LA**
- **Scop: reducerea saraciei**

Acoperire: Globala

NSA & LA in domeniul dezvoltarii

Buget & obiective specifice

903 m € for 2007-2010
218,3 m € in 2010

Ob 1. Actiuni pentru dezvoltare directionate catre promovarea unei societati inclusive si active in tarile si regiunile partenere (**152,5 m €**)

Ob 2. Educatie pentru dezvoltare si constientizare in Europa (**29,8 m €**)

Ob 3. Coordonare si networking in Europa (**3,7 m €**)

Obiectiv II: Educatie pentru dezvoltare si constientizare (DEAR) – prioritati si rezultate prevazute

EuropeAid

Obiectiv II: Educatie pentru dezvoltare si constientizarea problematicii dezvoltarii in tarile membre si candidate UE

Prioritati:

1. Sprijin public pentru agenda ODM, in special pentru Africa Sub-sahariana
2. Coerenta domeniului dezvoltarii abordat in problemele de interes public: migratie, comert, securitate, dimensiunea sociala a globalizarii, etc.
3. Media si dezvoltare

Rezultate prevazute - Nivel ridicat de informare si constientizare a publicului in legatura cu interdependentele globale dintre UE si tarile in curs de dezvoltare – focus pe:

- o O mai buna integrare a problematicii dezvoltarii in sistemele de educatie formala si non-formala in statele membre
- o O mai buna mobilitate in noile state membre si tarile candidate (networking, schimb de experienta si bune practici)

Obiectiv II: Educatie pentru dezvoltare si constientizare (DEAR)

EuropeAid

- Suma de referinta: 25 000 000 EUR in cadrul linei bugetare 21 03 01 « Actori Non-Statali in Dezvoltare» - aceleasi sume ca 2009
- o 20% din fonduri alocate preferabil catre actiuni DEAR in cele 12 noi state membre

Implementare

- Un singur apel de propuneri (restrans) a fost publicat in primul semestru al 2010 (Aprilie-Mai)
- o Finantari acordate: intre 100 000 si 1 000 000 EUR
(exceptii: cele 12 noi state membre: intre 25 000 si 1 000 000 EUR)
 - o Co-finantare CE = maximum 75% din totalul costurilor eligibile
(exceptie: cele 12 noi state membre: 90%)
 - o Durata actiunilor: intre 12 si 36 luni

OBIECTIV 3

Obiectiv 3: Coordonare & Networking pentru activitatile din cadrul UE si tarile candidate

EuropeAid

Prioritati:

- Retele de informare, schimb de bune practici intre si in cadrul organizatiilor
- Dialog si schimb de bune practici intre actori diferiti
- Interactiunea cu institutiile UE

Apel de propuneri: Martie - Aprilie 2010

Proiecte tinta: legate de obiectivele 2 & 3

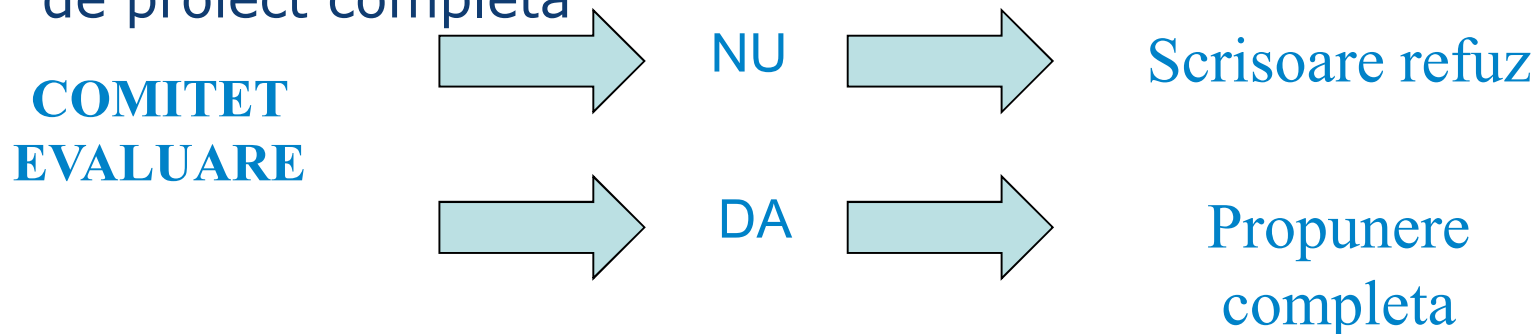
Apeluri de propuneri

- **Prima faza: elaborarea si depunerea unui "Concept Note"**

Etapa 1: Deschidere si verificare administrativa

Etapa 2: Evaluarea

- Aplicantii pre-selectati vor fi invitati sa depuna o propunere de proiect completa



Apeluri de propuneri

➤ Faza a doua: Depunerea unei cereri de finantare

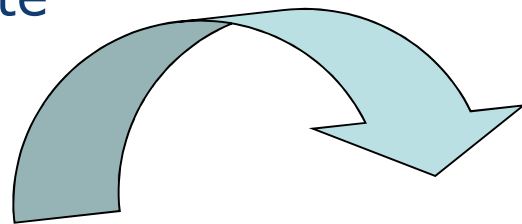
DEADLINE: MIN. 45 zile dupa scrisoarea de invitatie

Etapa 1: Deschiderea si verificarea administrativa

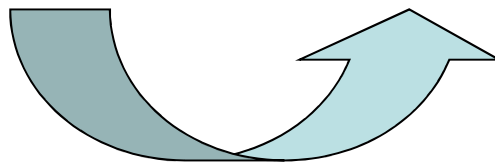
Etapa 2: Evaluarea Propunerii Finale

Etapa 3: Eligibilitate

**COMITET
EVALUARE**



Lista finala de
propuneri



Scrisoare refuz

Apelul de propuneri de finantare

Depunere Concept Note si
propunere completa

DEADLINE:
MIN: 90 zile dupa
publicarea apelului

Evaluare
administrativa

Evaluare Concept Note

Evaluarea
propunerilor
complete

Verificare
eligibilitate

Pregatirea
contractului

Publicarea apelurilor de propuneri de finantare

EuropeAid

The screenshot shows the website 'External cooperation programmes - European Commission' in a Windows Internet Explorer browser. The address bar shows 'http://ec.europa.eu/europeaid/index_en.htm'. The page features a blue header with the European Commission logo and the text 'External cooperation programmes'. Below the header, there is a navigation menu with links for 'Contact', 'Legal notice', 'RSS', 'Google Custom Search', and 'English (en)'. The main content area is divided into several sections:

- Homepage**: A list of navigation links including 'Who we are', 'What we do', 'Where we work', 'How we work', 'Work with us', and 'Multimedia library'.
- The EU in action: cooperation works**: A large banner image of a woman in a hat, with a 'Funding' link circled in red in the top right corner.
- Story from the field**: A section titled '1 December: World AIDS day' with a sub-link 'The full story'. The text describes the EU's commitment to tackle the global HIV/AIDS pandemic.
- Announcements**: A section titled 'Better Faster More - Implementing EU External Aid 2004-2009' with a graphic showing 'BETTER', 'FASTER', and 'MORE'.

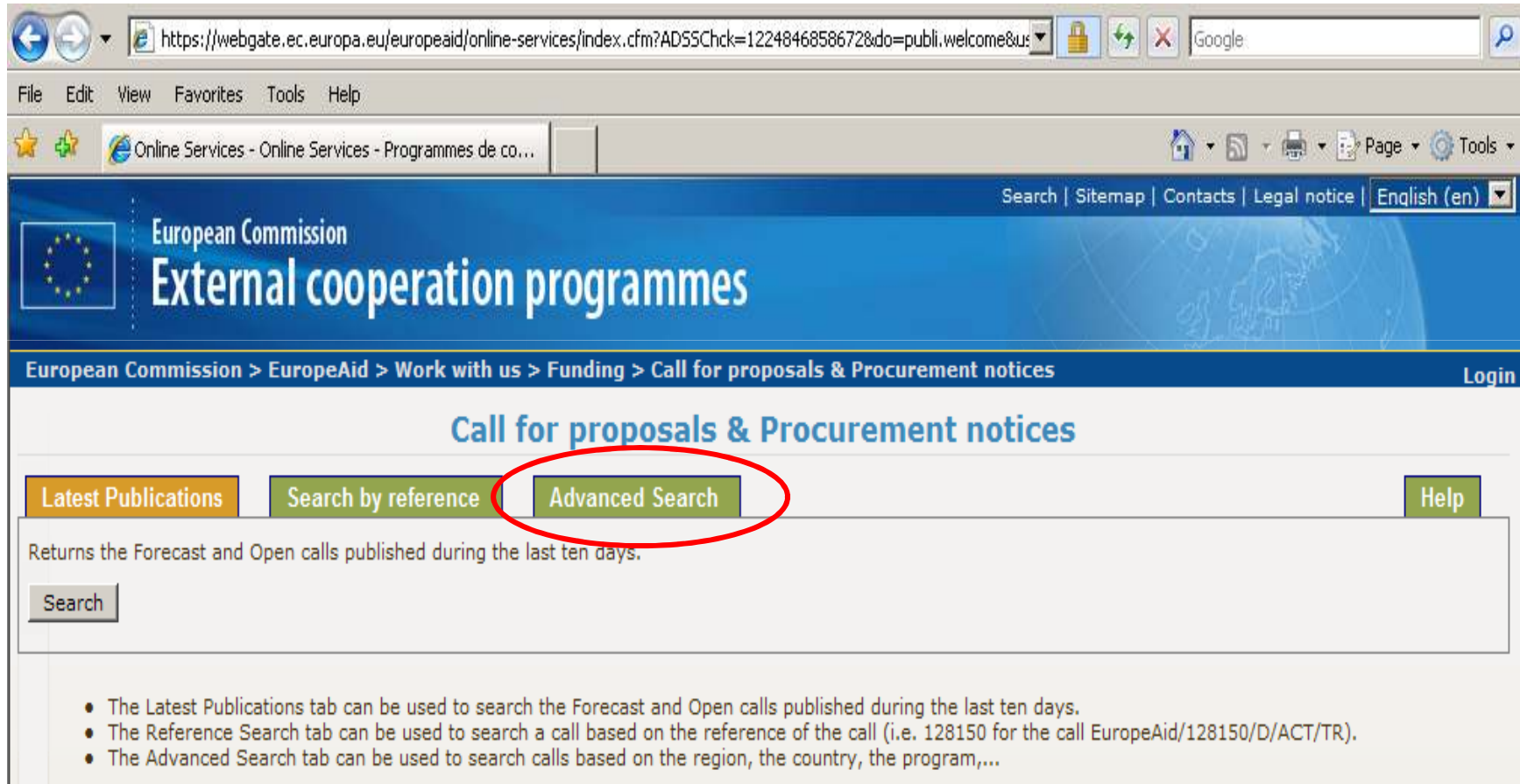
Publicarea apelurilor de propuneri de finantare

EuropeAid

The screenshot shows the European Commission's website for external cooperation programmes. The main navigation bar includes 'Contact', 'Legal notice', 'RSS', 'Google Custom Search', and 'English (en)'. The breadcrumb trail reads 'European Commission > EuropeAid > Work with us > Funding'. A left-hand menu lists various sections, with 'Funding' expanded to show 'Apply for grant or contract', 'Beneficiaries', 'Annual Programmes', 'Online services', 'Procedures & documents', 'Communication manual', 'Job opportunities', and 'Multimedia library'. The main content area features a 'Funding' section with a prominent button labeled 'Call for proposals & Procurement notices' circled in red. Below this is a 'Grants' section with a text box and a paragraph explaining that grants are direct financial contributions from the EU budget or the European Development Fund. It further details that grants fall into two categories: 'Grants for actions' and 'Operating grants'. A final paragraph states that grants are based on reimbursement of eligible costs and that interested parties should consult the [calls for proposals](#). On the right side, there is a 'Funding' list with links for AAP 2009, AAP 2008, AAP 2007, AWP 2010, AWP 2009, AWP 2008, AWP 2007, AWP 2006, and AWP 2005. Below this is a 'Related links' section with links to 'Apply for grant or contract', 'Practical guide to contract procedures', and 'Guide to publications of call for proposals and call for tenders'. At the bottom right, a 'Thematic programmes' section lists 'Ongoing global calls for proposals', 'Forecast of upcoming global calls', and 'Application statistics for global calls 2009'.

Publicarea apelurilor de propuneri de finantare

EuropeAid



The screenshot shows a web browser window displaying the European Commission's 'External cooperation programmes' website. The page title is 'Call for proposals & Procurement notices'. The navigation menu includes 'Latest Publications', 'Search by reference', 'Advanced Search', and 'Help'. The 'Advanced Search' tab is highlighted with a red circle. Below the tabs, there is a search box with a 'Search' button and a description: 'Returns the Forecast and Open calls published during the last ten days.' A list of instructions is provided at the bottom of the page.

European Commission
External cooperation programmes

European Commission > EuropeAid > Work with us > Funding > Call for proposals & Procurement notices

Call for proposals & Procurement notices

Latest Publications | Search by reference | **Advanced Search** | Help

Returns the Forecast and Open calls published during the last ten days.

Search

- The Latest Publications tab can be used to search the Forecast and Open calls published during the last ten days.
- The Reference Search tab can be used to search a call based on the reference of the call (i.e. 128150 for the call EuropeAid/128150/D/ACT/TR).
- The Advanced Search tab can be used to search calls based on the region, the country, the program,...

Publicarea apelurilor de propuneri de finantare

EuropeAid

The screenshot shows a web browser window displaying the European Commission's 'External cooperation programmes' website. The page title is 'Call for proposals & Procurement notices'. The navigation menu includes 'Latest Publications', 'Search by reference', 'Advanced Search', and 'Help'. The search form includes a 'Programme' dropdown, 'Geographical Zone' dropdown, 'Type' checkboxes (Grants, Supplies, Services, Works), 'Status' checkboxes (Closed, Open, Forecast), 'Published After' and 'Published before' date pickers, and a 'Search' button. Below the search form, there are three bullet points explaining the search tabs: 'Latest Publications' for recent calls, 'Reference Search' for calls by reference number, and 'Advanced Search' for calls by region, country, and program.

European Commission
External cooperation programmes

European Commission > EuropeAid > Work with us > Funding > Call for proposals & Procurement notices

Call for proposals & Procurement notices

Latest Publications Search by reference Advanced Search Help

Programme [dropdown]
Geographical Zone [dropdown]
Type Grants Supplies Services Works
Status Closed Open Forecast
Published After [date picker] Published before [date picker]
Search

- The Latest Publications tab can be used to search the Forecast and Open calls published during the last ten days.
- The Reference Search tab can be used to search a call based on the reference of the call (i.e. 128150 for the call EuropeAid/128150/D/ACT/TR).
- The Advanced Search tab can be used to search calls based on the region, the country, the program,...

Publicarea apelurilor de propuneri de finantare

EuropeAid

The screenshot shows a web browser window displaying the European Commission's 'External cooperation programmes' website. The page is titled 'Call for proposals & Procurement notices' and features a search interface with the following elements:

- Navigation:** 'Latest Publications', 'Search by reference', 'Advanced Search', and 'Help' tabs.
- Search Criteria:**
 - Programme:** A dropdown menu set to 'Non-State Actors and Local Authorities'.
 - Geographical Zone:** A dropdown menu set to 'Vietnam'.
 - Type:** Radio buttons for 'Grants' (checked), 'Supplies', 'Services', and 'Works'.
 - Status:** Radio buttons for 'Closed' (checked), 'Open', and 'Forecast'.
 - Published After:** A date input field.
 - Published before:** A date input field.
 - Search:** A 'Search' button.
- Help Text:**
 - The Latest Publications tab can be used to search the Forecast and Open calls published during the last ten days.
 - The Reference Search tab can be used to search a call based on the reference of the call (i.e. 128150 for the call EuropeAid/128150/D/ACT/TR).
 - The Advanced Search tab can be used to search calls based on the region, the country, the program,...

Publicarea apelurilor de propuneri de finantare

EuropeAid

The screenshot shows a web browser window displaying the European Commission's 'External cooperation programmes' website. The page is titled 'Call for proposals & Procurement notices' and features a search interface. The search criteria are set to 'Non-State Actors and Local Authorities' for the programme and 'Vietnam' for the geographical zone. The search results show two records, both of which are 'Closed'.

European Commission
External cooperation programmes

European Commission > EuropeAid > Work with us > Funding > Call for proposals & Procurement notices

Call for proposals & Procurement notices

Latest Publications | Search by reference | **Advanced Search** | Help

Programme: Non-State Actors and Local Authorities
Geographical Zone: Vietnam

Type: Grants Supplies Services Works
Status: Closed Open Forecast

Published After: Published before: Search

Your selection returned 2 record(s) Display 10 - 15 - 25 - 50 calls per page.

Ref. #	Title	Published	Updated	Status	Type	Geographical Zone	Programme
127784	Viet Nam - Calls for Proposals for Non-State Actors and Local Authorities 2008 and 2009	18/11/2008	17/09/2009	Closed	Action Grants	Vietnam	Non-State Actors and Local Authorities
126618	Call for proposals under the thematic programme for non-state actors (NSA) and local authorities (LA) - Viet Nam	1/02/2008	31/03/2008	Closed	Action Grants	Vietnam	Non-State Actors and Local Authorities

Display 10 - 15 - 25 - 50 calls per page.

Va multumesc pentru atentie!

- Intrebari?
- Comentarii?!



Pentru mai multe informatii

Web-site:

http://ec.europa.eu/europeaid/where/worldwide/civil-society/index_en.htm

E-mail EuropeAid: EuropeAid-NSA-LA@ec.europa.eu

